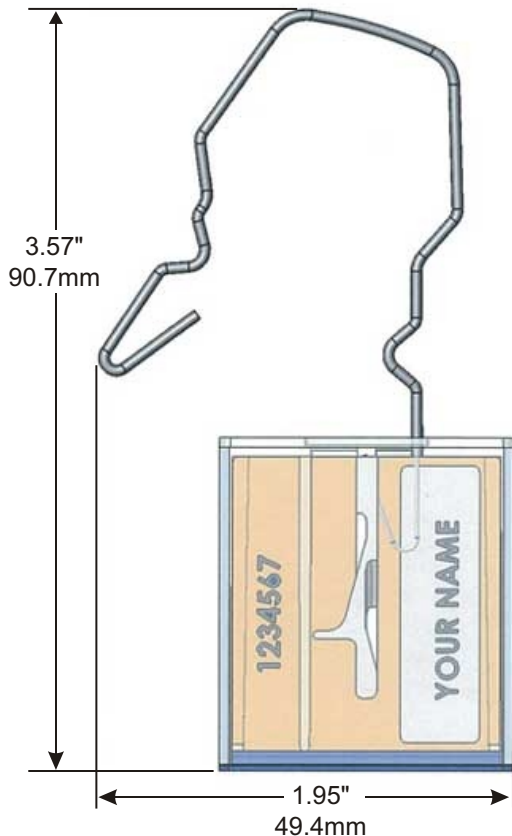
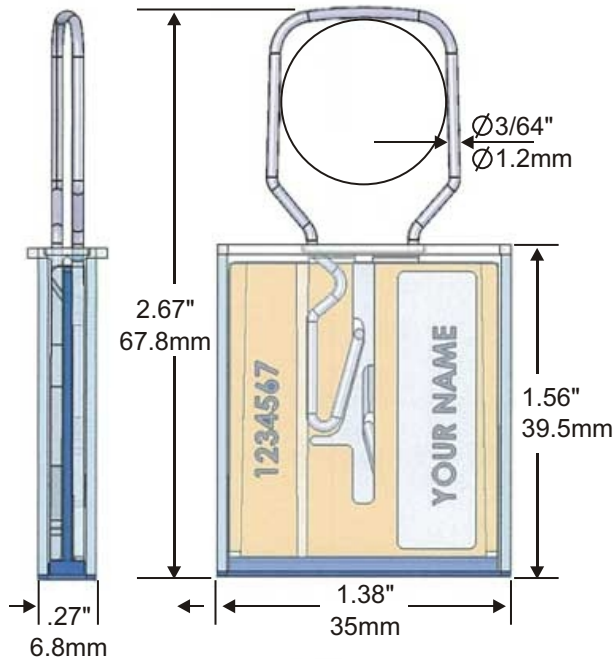


Model: XPC-2 Acrylic Padlock Seal

Available as...

STANDARD ITEM FROM STOCK:
Pre-Printed / Pre-Numbered

CUSTOM ORDERED ITEM
Printed, Numbered, All Colors, Bar Code



DESCRIPTION:

The model XPC-2 is housed in a tamper-evident acrylic jacket for security and long term use. Tamper resistant hasp for added security.

FEATURES:

- Clear acrylic jacket reveals tampering.
- Weather resistant for long term exposure.
- Tamper resistant hasps increase seal security.
- One piece design - protects printing and numbers.
- Color coding with custom orders.
- Custom heat stamp printing of company name / logo.
- Hasp can be scored for removal by hand, or unscored for removal with cutters.

MATERIALS:

- Clear acrylic jacket - tamper evident and protective.
- Galvanized spring wire (0.047" diameter) or stainless steel spring wire (0.047" diameter)

PACKAGING:

- 1,000 Seals per carton
- 5,000 Pieces per case.
- Optional pack: 50 or 100 seals per bundle in consecutive number order.

CUSTOM OPTIONS:

Custom printing
Any color available
Bar codes

Custom Printing is available —
Contact AC&M for details.



**American Casting
& Manufacturing Corporation**

Toll-Free (800)342-0333

Tel: (516) 349-7010 • Fax (516) 349-8389

www.SEALS.com

email: info@SEALS.com

51 Commercial St · Plainview, NY 11803 USA