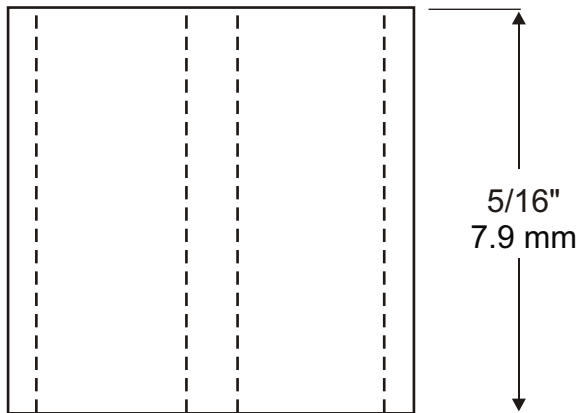
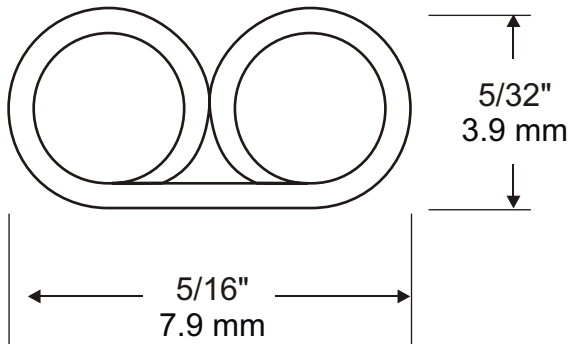
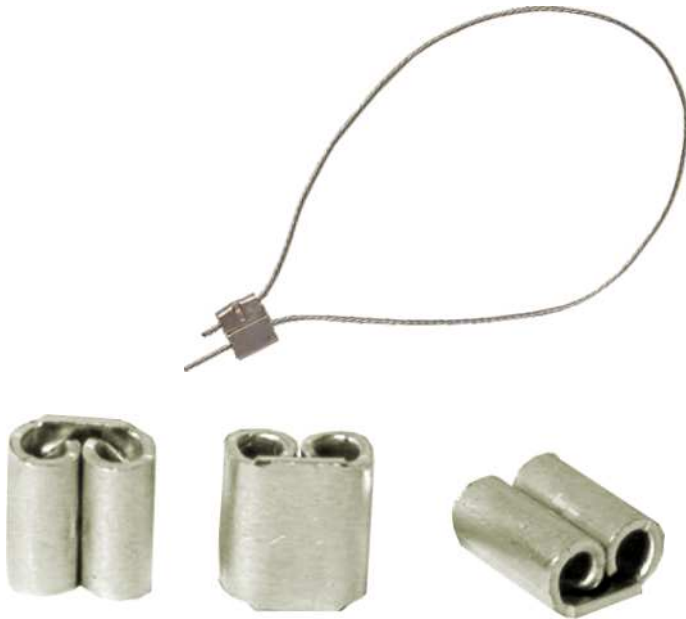


Model: TH1000 Two Hole Aluminum Seal



DESCRIPTION:

AC&M's TH1000 Two-Hole Aluminum Seals. Light weight aluminum seal for use in place of lead seals because of weight, temperature or conductivity factors. Ideal for aircraft, chemical, etc. Accepts embossing from the Bulldog Seal Press Tool.

SEAL COLORS:

- Aluminum

PRINTING:

None Available

PACKAGING:

- 250 Seals to a poly bag.
- 1,000 Seals to a carton.

Cartons containing 1,000 seals measure:
10" x 13" x 17" and weigh 8 Lbs.
25.4cm x 33cm x 43cm and weigh 3.6 kg.

USE:

Applies with a 5" Bulldog Seal Press. Cannot be opened unless the seal is destroyed.



American Casting
& Manufacturing Corporation

Toll-Free (800)342-0333

Tel: (516) 349-7010 • Fax (516) 349-8389

email: info@AmericanCasting.com

51 Commercial St · Plainview, NY 11803 USA

www.AmericanCasting.com