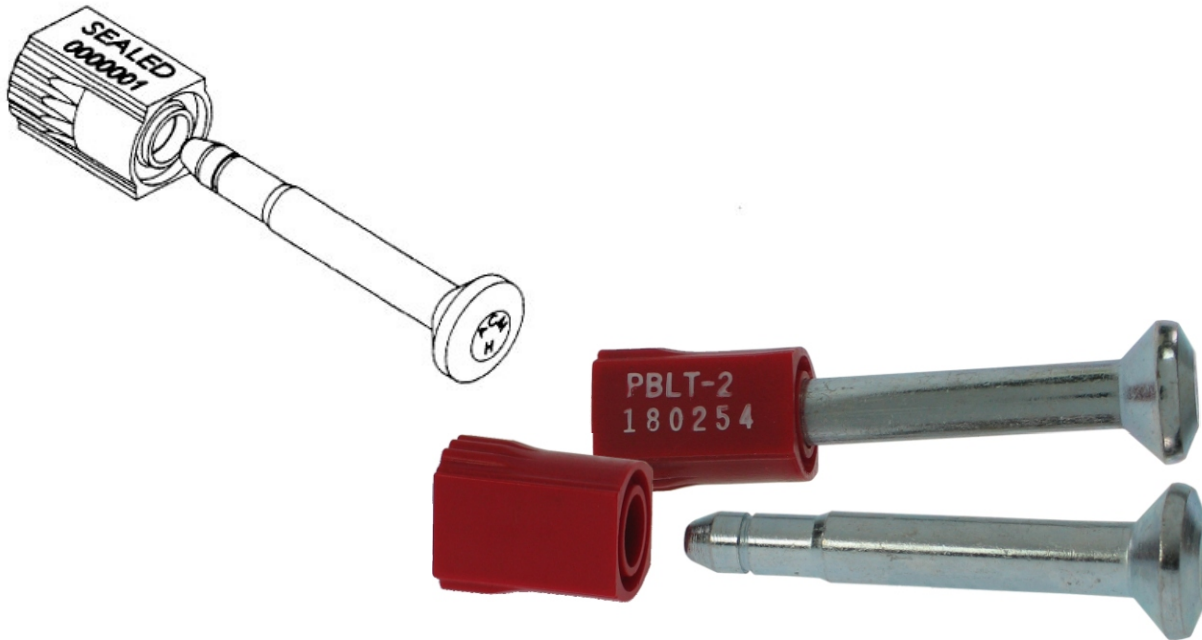
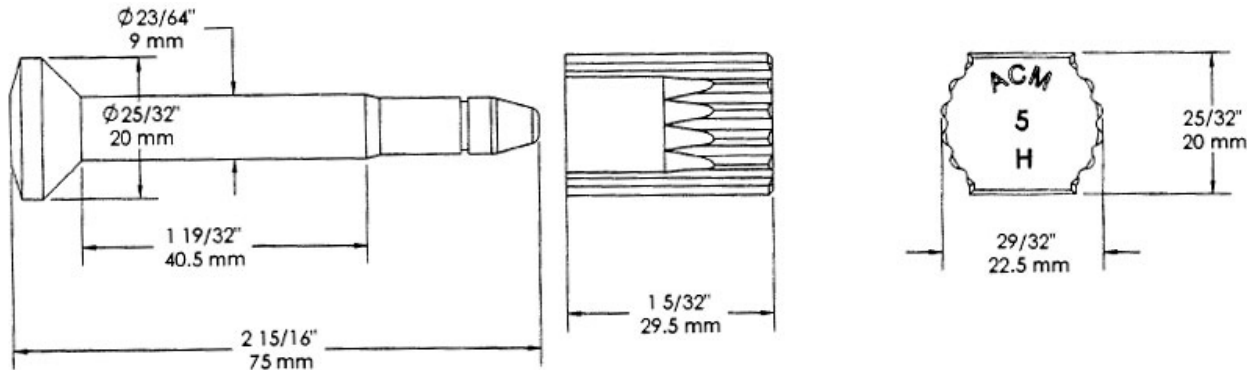


**Model: PBLT-2-H**  
**High Security Steel Bolt Lock**  
**Plastic Covered Steel Locking Device**



Available as...

- **STANDARD ITEM FROM STOCK:**  
Pre-Printed / Pre-Numbered
- **CUSTOM ORDERED ITEM**  
Printed & Numbered

**DESCRIPTION:**

AC&M's PBLT-2-H High Security Bolt Locks, serves many types of uses. Plastic-covered locking device. Various colors available.

**PRINTING:**

AC&M's Heavy Duty Bolt Locks are supplied hot-stamped printed. One line up to 11 characters plus consecutive numbers up to 6 digits.

**PACKAGING:**

- 200 Seals to a carton.
- Cartons containing 200 seals measure:  
 16" x 10" x 5" and weigh 50 Lbs.  
 40.6cm x 25.4cm x 12.7cm and weigh 22.68 kg.

**USE:**

Self locking and must be removed by bolt cutters. Insert bolt into head until seal clicks. Pull back to test.

*Custom Printing is available —*  
**Contact AC&M for details.**



**American Casting**  
 & Manufacturing Corporation

**Toll-Free (800)342-0333**

Tel: (516) 349-7010 • Fax (516) 349-8389  
 email: [info@AmericanCasting.com](mailto:info@AmericanCasting.com)

51 Commercial St · Plainview, NY 11803 USA

[www.AmericanCasting.com](http://www.AmericanCasting.com)