

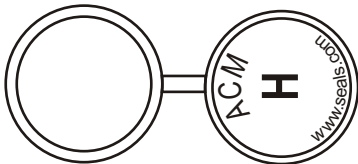
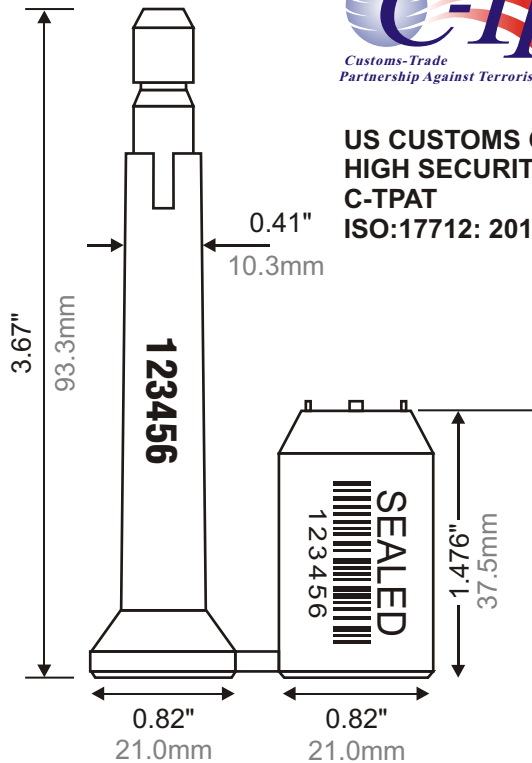
# Model: ISO-1H - *The ISO BOLT* Match Numbered, Bar Coded Heavy Duty Bolt Lock

Available as...

- STANDARD ITEM FROM STOCK:  
Pre-Numbered - Barcoded
- CUSTOM ORDERED ITEM  
Printed & Numbered



**US CUSTOMS COMPLIANT  
HIGH SECURITY SEAL  
C-TPAT  
ISO:17712: 2013**



Overall height when sealed 4.03" / 102.5mm

SEALS.com Model: ISO-1H "THE ISO BOLT"



## DESCRIPTION:

AC&M's ISO-1H High Security Bolt Seal: The high-security steel inner core is completely encapsulated in a tough, ABS laser printed bar coded and numbered polymer shell. Match numbered pieces for added security.

## PRINTING:

Stock numbered in matched, sequential 6 digit numbers. Printing to 20 characters on custom orders.

## PACKAGING:

- 200 Seals to a carton
- Weight 40 lbs (18Kg) per 200
- Carton Size: 20.8" x 11.8" x 5" (53 x 30 x 13 cm)

## USE:

Self locking and must be removed by bolt cutters. Insert bolt into head until seal clicks. Pull back to test.

*Custom Printing is available —  
Contact AC&M for details.*



**American Casting  
& Manufacturing Corporation**

**Toll-Free (800)342-0333**

Tel: (516) 349-7010 • Fax (516) 349-8389

[www.SEALS.com](http://www.SEALS.com)

email: [info@SEALS.com](mailto:info@SEALS.com)

51 Commercial St · Plainview, NY 11803 USA