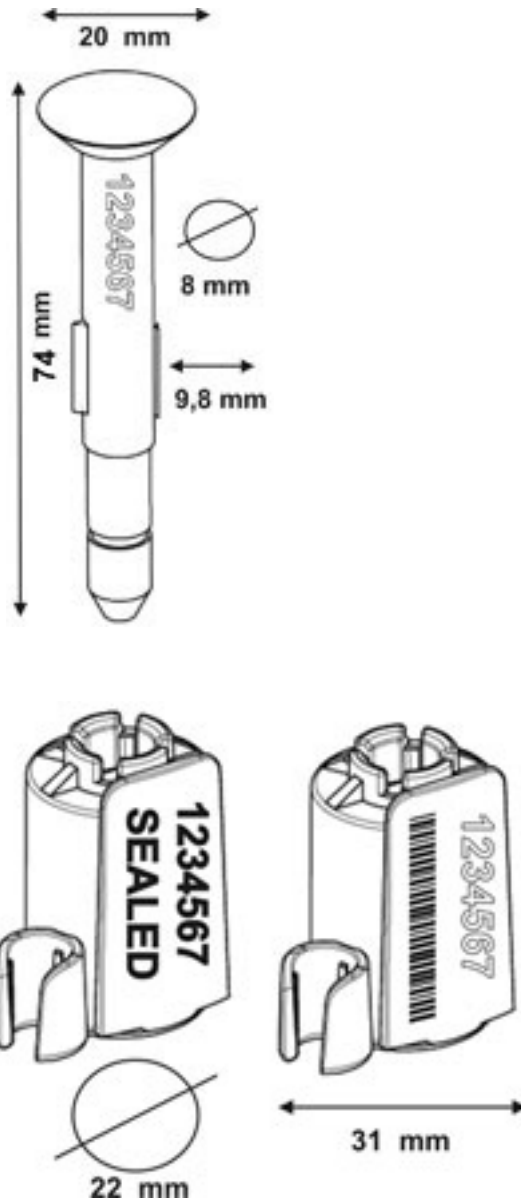


Model: IPBLT-4H

Bar Code and Numbered Heavy Duty Bolt Lock

Available as...

- STANDARD ITEM FROM STOCK:
Pre-Numbered
- CUSTOM ORDERED ITEM
Printed & Numbered



DESCRIPTION:

Steel, heavy-duty, high-security bolt seals for trucks, cargo containers, etc. - wherever high-security and tamper-evidence is required. 'Anti-Spin' tabs inhibit tampering as the mating "female" part of the seal by spinning it at high speed.

- C-TPAT ISO / PAS 17712 compliant
- Bar Coded and Match Numbered
- Meets US Custom container seal requirements.

FEATURES:

- LASER printing
- Sequential numbering
- Bar-coded

MATERIAL:

Plastic parts: polystyrene / ABS in accordance with: Restriction of Hazardous Substances (RoHS).

EASY TO APPLY:

Simple, no-tool application - just click two pieces together to self-lock. Typically, the 3/8" (9.7mm) diameter shaft is inserted through the hasp of the locking mechanism affixed to door or access point. The 2nd piece of the bolt lock, the locking cap, is then hand-applied, positively clicking in place to lock the bolt.

This rugged, high-security seal must be removed with a bolt cutter by cutting the shaft.

PACKAGING:

Standard: 10 IPBLT-4H's per carton / 500 per case.

Weight: 106 lbs (48 kg) per 1,000.

Carton Size:

16.5" x 11" x 6" (42 x 28 x 15 cm).



**American Casting
& Manufacturing Corporation**

Toll-Free (800)342-0333

Tel: (516) 349-7010 • Fax (516) 349-8389

www.SEALS.com

email: info@SEALS.com

51 Commercial St · Plainview, NY 11803 USA