

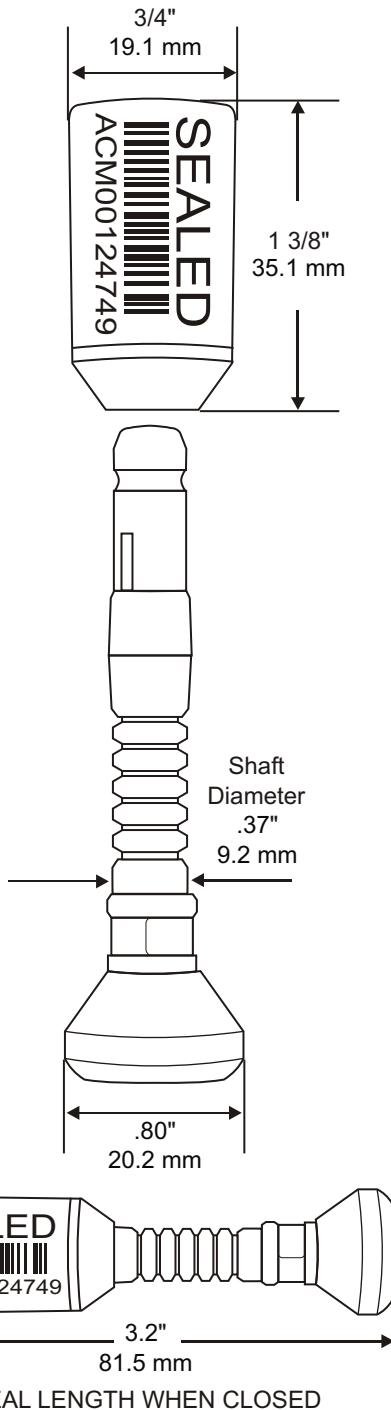
Model: FCL-3H

Numbered, Flexible Neck

Heavy Duty Bolt Lock

Available as...

- STANDARD ITEM FROM STOCK:
Pre-Numbered
- CUSTOM ORDERED ITEM
Printed & Numbered



DESCRIPTION:

Keyless, single use bolt locks provide a high level of security and tamper-evidence. A super-tough .2" (5mm) imbedded galvanized wire encased in tough plastic covering provides enough flex to make application a snap. C-TPAT ISO / PAS 17712 compliant. Meets US Custom and Border container seal requirements.

Anti-Spin to prevent friction attacks - A high degree of flexibility to fit on any container, truck or trailer door hasp. The patented anti-spin feature features locking 4 "fins" to prevent friction attacks. The cylinder is made of metal with a non-flammable PC shock proof plastic cover.

EASY TO APPLY:

Simple, no-tool application - just click two pieces together to self-lock. Typically, the shaft is inserted through the hasp of the locking mechanism affixed to door or access point. The 2nd piece of the bolt lock, the locking cap, is then hand-applied, positively clicking in place to lock the bolt.

This high-security seal must be removed with a bolt cutter by cutting the shaft.

PACKAGING:

Standard: 200 seals per box.
Weight: 120 lbs (54.4 kg) per 1,000
Size: 15" x 7.8" x 4.5" (38.5 x 20 x 11 cm) per 200.

Custom Printing is available —
Contact AC&M for details.



American Casting
& Manufacturing Corporation

Toll-Free (800)342-0333

Tel: (516) 349-7010 • Fax (516) 349-8389

www.SEALS.com

email: info@SEALS.com

51 Commercial St · Plainview, NY 11803 USA