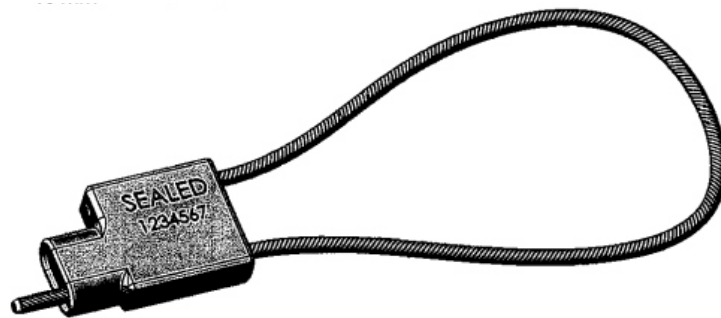
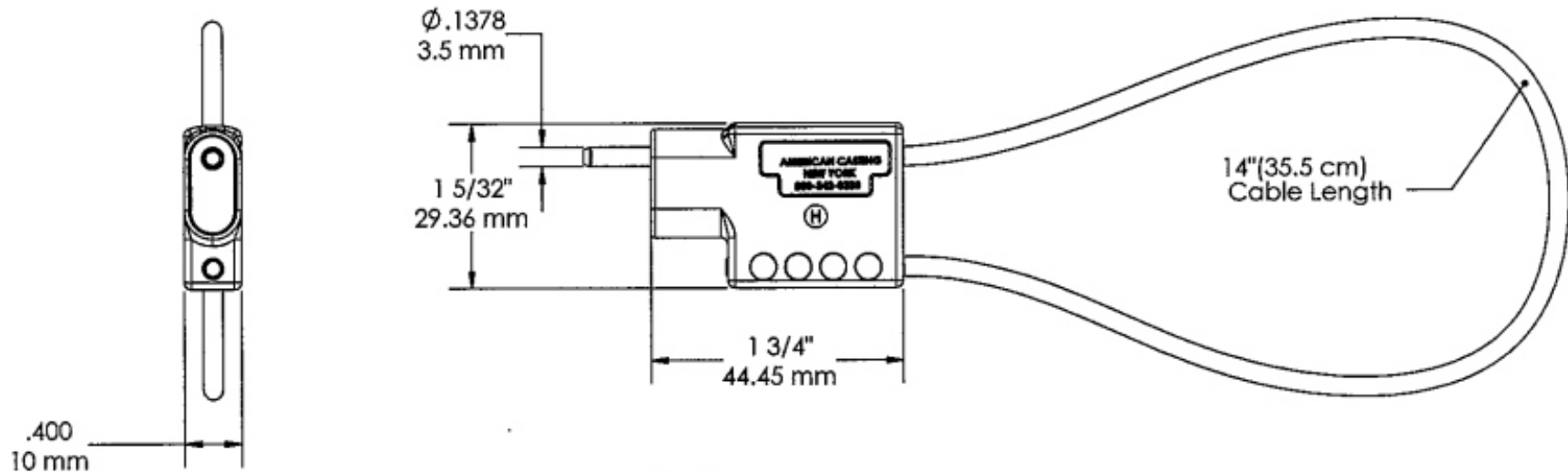


# Model: CL-99-35SD-14 Cable Seal

- **STANDARD ITEM FROM STOCK:**  
Pre-Printed / Pre-Numbered
- **CUSTOM ORDERED ITEM**  
Printed & Numbered



# AC&M

**American Casting**  
& Manufacturing Corporation

**Toll-Free (800)342-0333**

Tel: (516) 349-7010 • Fax (516) 349-8389

email: [info@AmericanCasting.com](mailto:info@AmericanCasting.com)

51 Commercial St · Plainview, NY 11803 USA

*Custom Printing is available —  
Contact AC&M for details.*

[www.AmericanCasting.com](http://www.AmericanCasting.com)

## DESCRIPTION:

AC&M's CL-99-35SD-14 Cable Seals, serves many types of uses. Heavy-duty adjustable cable seal for cargo doors, lids, drums, containers with 14" x 1/8" (35.5 cm x 3.18 mm) diameter adjustable cable.

## PRINTING:

Imprinting available for Cable Seals. One line up to 8 spaces plus one line of consecutive numbers up to 7 digits.

## PACKAGING:

- 25 Seals to a poly bag.
- 500 Seals to a carton.

Cartons containing 1,000 seals measure: 16" x 10" x 7" and weigh 180 Lbs. 40.6cm x 25.4cm x 17.7cm and weigh 63.5 kg.

## USE:

Pull up tight by hand and remove with cable cutter.