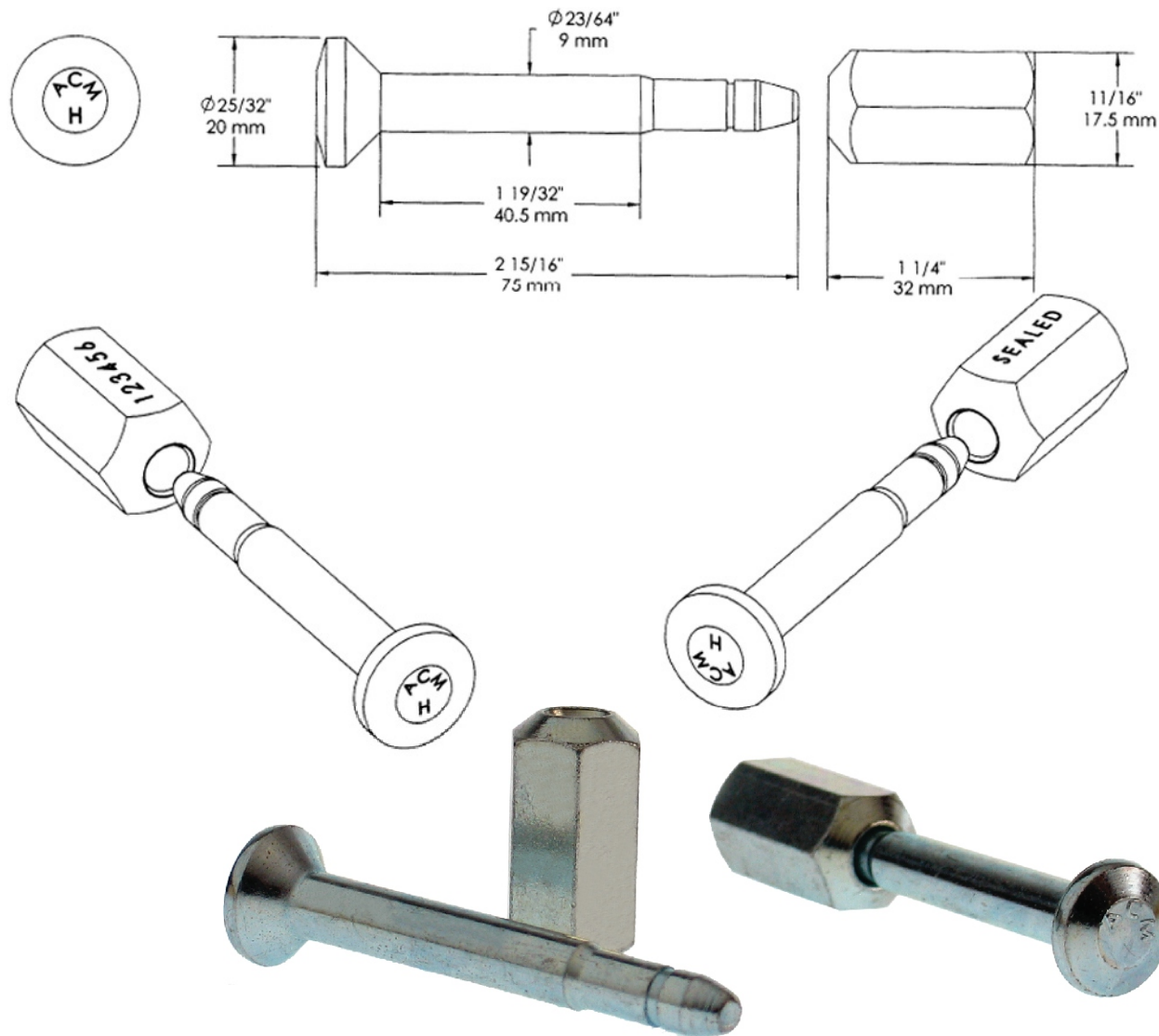


## Model: BLT-1-H Heavy Duty Bolt Lock



Available as...

- **STANDARD ITEM FROM STOCK:**  
Pre-Printed / Pre-Numbered
- **CUSTOM ORDERED ITEM**  
Printed & Numbered

### DESCRIPTION:

AC&M's BLT-1-H Heavy Duty Bolt Locks, serves many types of uses. High-security bolt seal for trucks and cargo containers.

### BREAKING STRENGTH:

+2,500 Lbs. / +1,134 Kg.

### PRINTING:

One line with 8 letters plus consecutive numbers up to 6 digits.

### PACKAGING:

- 10 Seals to a bag.

Cartons containing 200 seals measure:  
16" x 10" x 5" and weigh 48 Lbs.  
40.6cm x 25.4cm x 12.7cm and weigh 21.8 kg.

### USE:

Self locking and must be removed by bolt cutters. Insert bolt into head until seal clicks. Pull back to test.

*Custom Printing is available —*  
Contact AC&M for details.

# AC&M

**American Casting**  
& Manufacturing Corporation

**Toll-Free (800)342-0333**

Tel: (516) 349-7010 • Fax (516) 349-8389

email: [info@AmericanCasting.com](mailto:info@AmericanCasting.com)

51 Commercial St · Plainview, NY 11803 USA

[www.AmericanCasting.com](http://www.AmericanCasting.com)