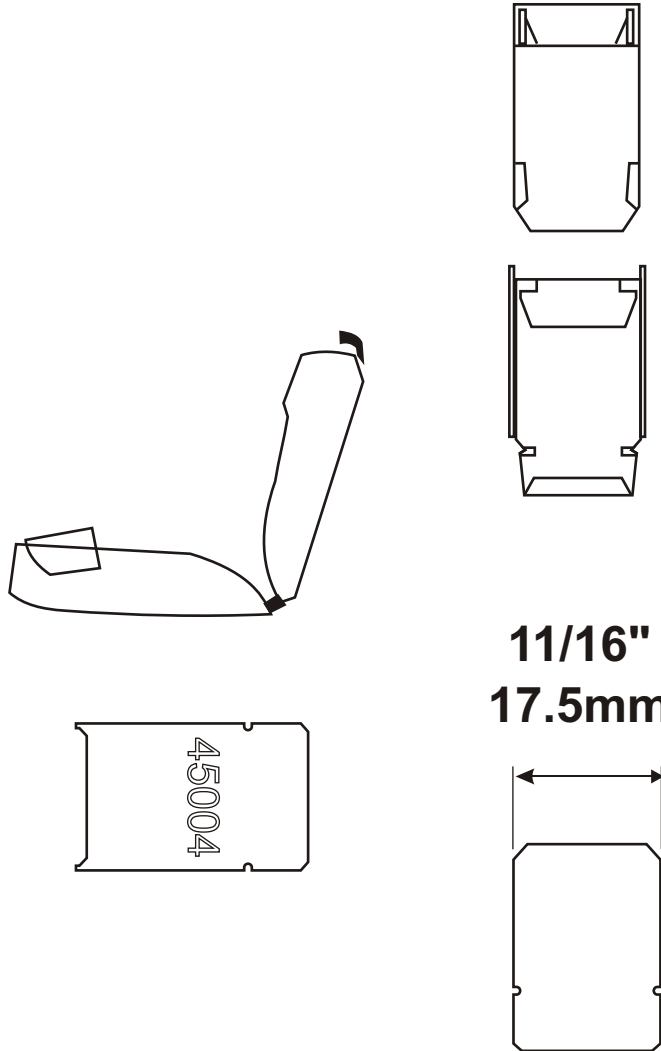


Model: AS101 AmerSnap Seal



11/16"
17.5mm

DESCRIPTION:

AC&M's AS101 AmerSnap large tin plate metal snap-on seal is made for use with wire (6" (15.2 cm) 4-ply galvanized standard). Seals drums, containers — for all applications. Available in a variety of colors — great for color-coding!

PRINTING:

Imprinting available for AmerSnap Seals, lettering, logos and numbering.

**Custom Printing is available —
Contact AC&M for details.**

PACKAGING:

• 1000 Seals to a carton.

Cartons containing 1,000 seals measure:
13" x 5" x 8" and weigh 9 Lbs.
33cm x 12.7cm x 20.3cm and weigh 4.1 kg.

USE:

Self-locking seal folds over by hand application and snaps closed. Cannot be removed unless seal is destroyed.



**American Casting
& Manufacturing Corporation**

Toll-Free (800)342-0333

Tel: (516) 349-7010 • Fax (516) 349-8389

www.SEALS.com

email: info@SEALS.com

51 Commercial St · Plainview, NY 11803 USA