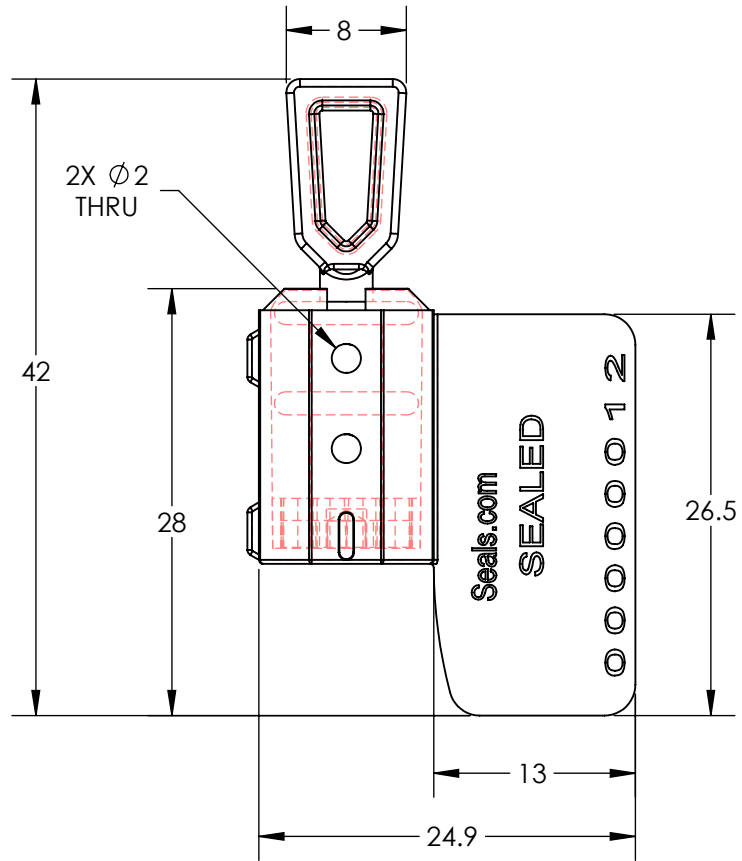
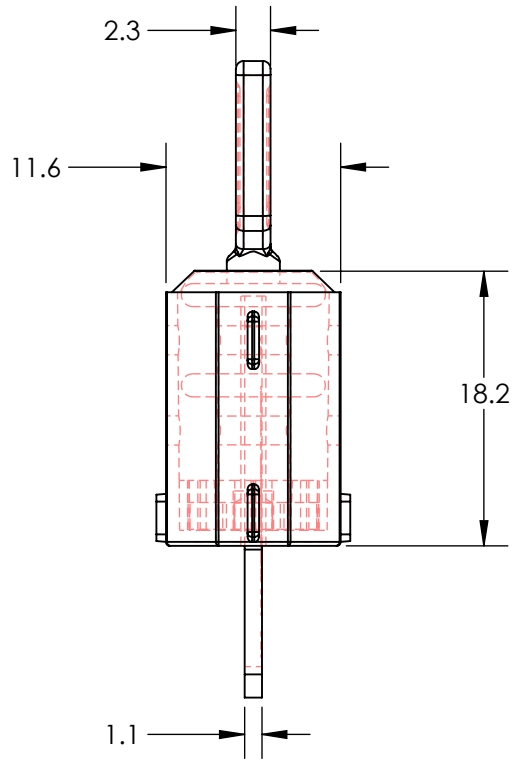
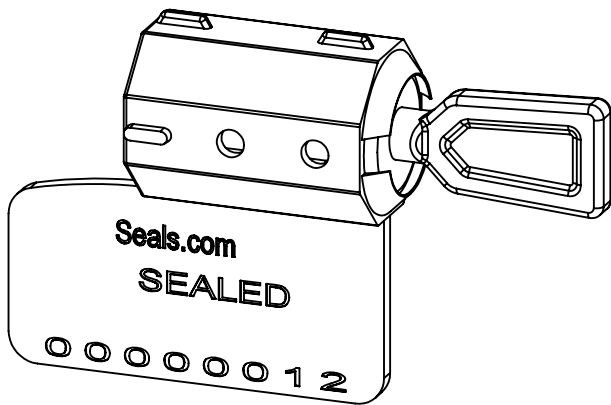


B



B

A



A

UNLESS OTHERWISE SPECIFIED:		NAME	DATE	AMERICAN CASTING & MFG.CORP.	
DIMENSIONS ARE IN INCHES		DRAWN	C C	TITLE:	
TOLERANCES:		CHECKED	---	G:\SldWorks\AC&M REEL SEAL\SEAL ASSBLY..SLDASM	
FRACTIONAL ± 1/64"		ENG APPR.		SIZE	DWG. NO.
ANGULAR: MACH ± 0.5° BEND ±		MFG APPR.		A	----
TWO PLACE DECIMAL ±.010		Q.A.		SCALE: 2:1	REV
THREE PLACE DECIMAL ±.001		PROPRIETARY AND CONFIDENTIAL		SHEET 1 OF 1	
INTERPRET GEOMETRIC TOLERANCING PER:		THE INFORMATION CONTAINED IN THIS DRAWING IS THE SOLE PROPERTY OF AMERICAN CASTING & MFG.CORP. ANY REPRODUCTION IN PART OR AS A WHOLE WITHOUT THE WRITTEN PERMISSION OF AMERICAN CASTING & MFG.CORP. IS PROHIBITED.			
MATERIAL					
FINISH					
DO NOT SCALE DRAWING					