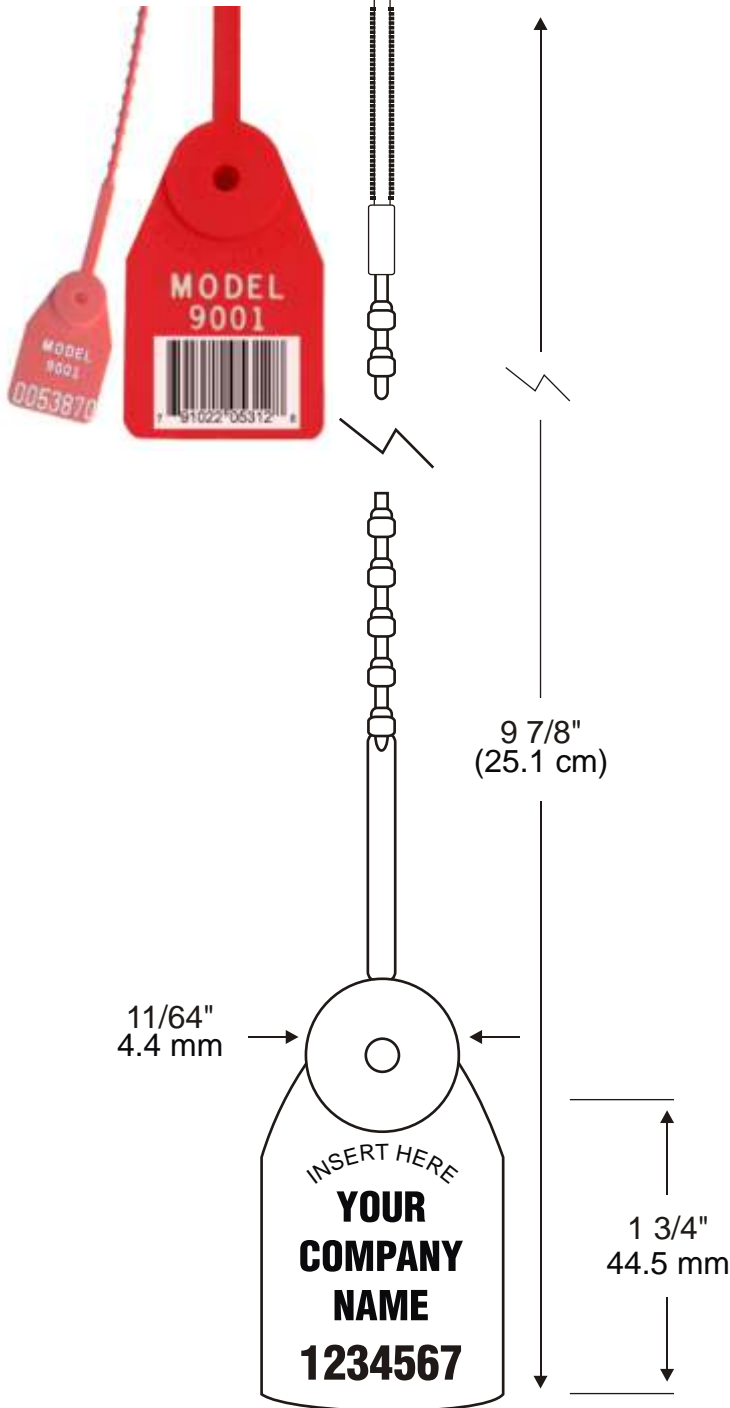


Model: 9001 Plastic Pull-Up Seal

Available as...

- **STANDARD ITEM FROM STOCK:**
Pre-Printed / Pre-Numbered
- **CUSTOM ORDERED ITEM**
Printed & Numbered

**BARCODES
AVAILABLE!**



DESCRIPTION:

AC&M's 9001 Pull-Up Seal's high-density polypropylene co-polymer adjustable strap pulls-up tight for close tolerances. 8" (20.3 cm) in length. Fits any closure larger than 5/32" (4 mm) diameter. Available in extra strength nylon.

BREAKING STRENGTH:

50 Lbs. / 22.7 Kg.

PRINTING:

Supplied hot-stamped printed. Four lines of 11 characters each or three lines print and one line consecutive numbered (7 digits). Bar codes and logos available on request.

PACKAGING:

- 10 Seals to a mat
- 100 Seals to a bag.
- 1,000 Seals to a carton.

Cartons containing 1,000 seals measure: 23" x 16" x 9" and weigh 11 Lbs. 58.4cm x 40.6cm x 22.8cm and weigh 5 kg.

USE:

Thread strap through closure and into locking chamber marked "INSERT HERE." Pull seal up as far as possible. Cannot be opened unless the seal is destroyed.

COLORS:

- Any Color Available
- Custom Colors (Call)
- Assorted Colors / Mix Packs

COLDGUARD ADDITIVE:

Specially formulated ColdGuard additive available exposure to freezing temperatures.

AC&M

American Casting
& Manufacturing Corporation

Toll-Free (800)342-0333

Tel: (516) 349-7010 • Fax (516) 349-8389
email: info@AmericanCasting.com

51 Commercial St · Plainview, NY 11803 USA

www.AmericanCasting.com