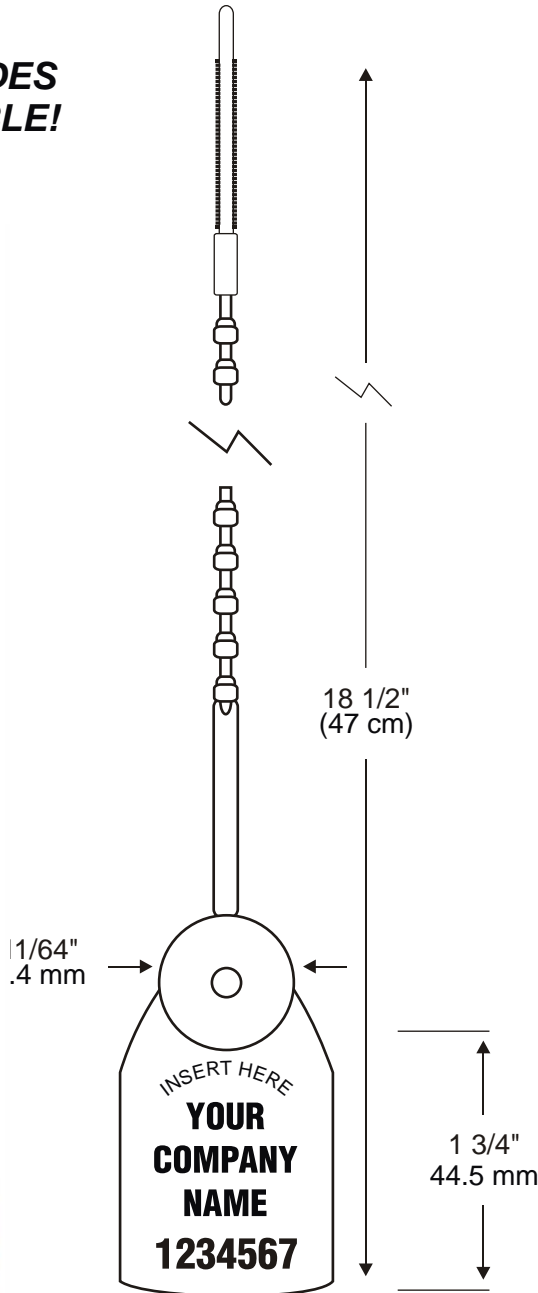


Model: 9001-16
Plastic Pull-Up Seal

Available as...

- **STANDARD ITEM FROM STOCK:**
Pre-Printed / Pre-Numbered
- **CUSTOM ORDERED ITEM**
Printed & Numbered

BARCODES AVAILABLE!



DESCRIPTION:

AC&M's 9001-16 Pull-Up Seal's high-density polypropylene copolymer adjustable strap pulls-up tight for close tolerances. 16" (40.6 cm) in length. Fits closures larger than 5/32" (4 mm) diameter. Available in extra strength nylon.

BREAKING STRENGTH:

50 Lbs. / 22.7 Kg.

PRINTING:

Supplied hot-stamped printed. Four lines of 11 characters each or three lines print and one line consecutive numbered (7 digits). Bar codes and logos available on request.

PACKAGING:

- 10 Seals to a mat
- 100 Seals to a bag.
- 1,000 Seals to a carton.

Cartons containing 1,000 seals measure: 20" x 18" x 17" and weigh 14 Lbs. 50.8cm x 45.7cm x 43.1cm and weigh 6.4 kg.

USE:

Thread strap through closure and into locking chamber marked "INSERT HERE." Pull seal up as far as possible. Cannot be opened unless the seal is destroyed.

COLORS:

- Any Color Available • Custom Colors (Call)
- Assorted Colors / Mix Packs

COLDGUARD ADDITIVE:

Specially formulated ColdGuard additive available exposure to freezing temperatures.



American Casting
 & Manufacturing Corporation

Toll-Free (800)342-0333

Tel: (516) 349-7010 • Fax (516) 349-8389
 email: info@AmericanCasting.com

51 Commercial St · Plainview, NY 11803 USA

www.AmericanCasting.com