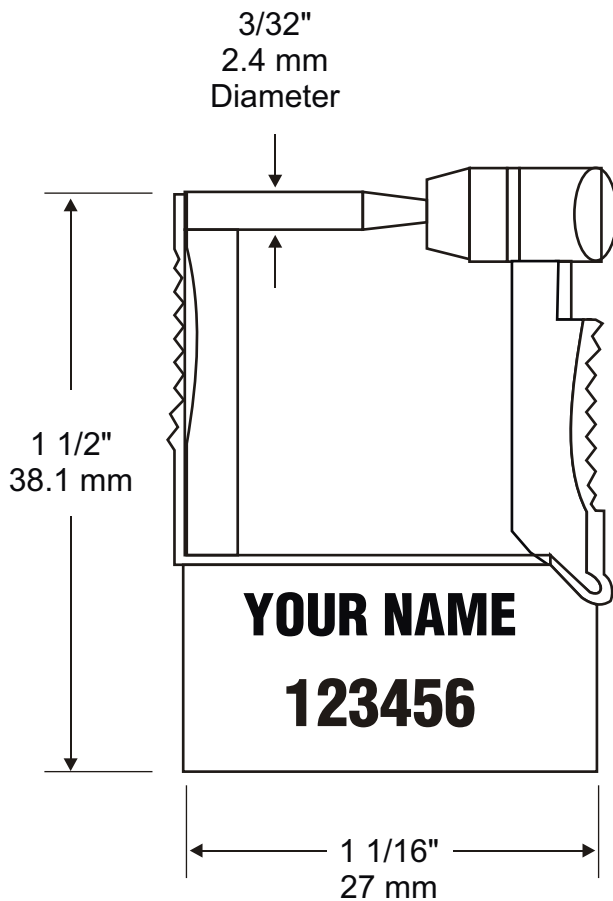


# Model: 7001 Fast-Seal

Available as...

- **STANDARD ITEM FROM STOCK:**  
Pre-Printed / Pre-Numbered
- **CUSTOM ORDERED ITEM**  
Printed & Numbered



## DESCRIPTION:

AC&M's 7001 Fast-Seal Padlock Seals are designed for fast, one-handed application and constructed of welded polypropylene with a brass locking insert. Fits all closures larger than 5/64" (2 mm) diameter. Quick and easy to use tool for sealing as well as tamper detection.

## BREAKING STRENGTH:

3 Lbs. / 1.4 Kg.

## PRINTING:

Supplied hot-stamped printed.

Two lines of printing (10 characters per line) and one line of numbering (to 7 digits) or three lines of printing if you don't utilize numbering.

## STANDARD PACKAGING:

1,000 Pieces per carton.

## OPTIONAL PACKAGING:

- 100 Seals to a bag.
- 1,000 Seals to a carton.

Cartons contain 1,000:

13" x 11" x 7" Weight: 3 Lbs.

33cm x 27.9cm x 17.8cm Weight: 1.4 kg.

## USE:

Hold seal between thumb and forefinger, fit to closure and squeeze hasp into locking chamber. Opening destroys seal.

## COLORS:

Available in all colors  
Assorted colors - mix packs  
Custom colors (call)

*Custom Printing is available —  
Contact AC&M for details.*



**American Casting**  
& Manufacturing Corporation

**Toll-Free (800)342-0333**

Tel: (516) 349-7010 • Fax (516) 349-8389

email: [info@AmericanCasting.com](mailto:info@AmericanCasting.com)

51 Commercial St · Plainview, NY 11803 USA

[www.AmericanCasting.com](http://www.AmericanCasting.com)