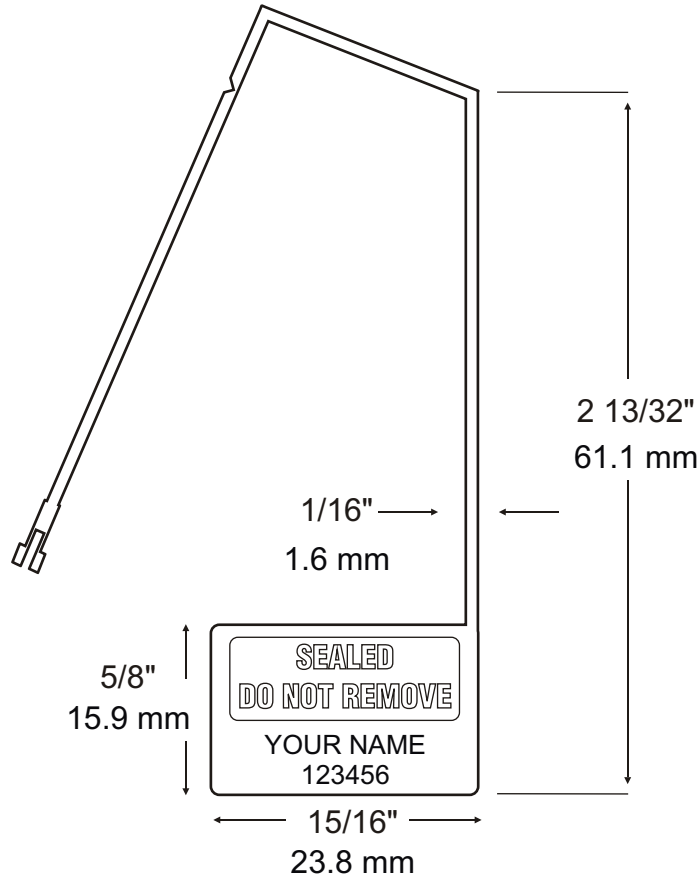


Model: 1001LH Plastic Padlock

Available as...

- **STANDARD ITEM FROM STOCK:**
Pre-Printed / Pre-Numbered
- **CUSTOM ORDERED ITEM**
Printed & Numbered



DESCRIPTION:

AC&M's 1001LH multi-purpose acetal copolymer plastic padlock seal will fit any opening larger than $\frac{1}{8}$ " (3.2 mm) diameter. Requires no tools to apply. Notched hasp for easy removal by hand.

BREAKING STRENGTH:

25 lbs (11.3 kg)

PRINTING:

Supplied hot-stamped printed.
Two lines of printing (11 spaces per line) or 1 line of print and 1 line consecutive numbers (6 digits).

PACKAGING:

Weight per 1,000: 3 lbs (1.4 kg)
Pack Size:
1,000: 8" x 8" x 5" (20.3 x 20.3 x 12.7 cm)
5,000: 16" x 12" x 10" (40.6 x 30.5 x 25.4 cm)
Standard: 1,000 per carton
Optional: 100 per bag

USE:

Slide the hasp into the locking device until it clicks. Pull back to ensure lock is engaged. Cannot be opened unless the seal is broken.

COLORS:

Available in all colors
Assorted colors - mix packs
Custom colors (call)

Custom Printing is available —
Contact AC&M for details.



**American Casting
& Manufacturing Corporation**

Toll-Free (800)342-0333

Tel: (516) 349-7010 • Fax (516) 349-8389

www.SEALS.com

email: info@SEALS.com

51 Commercial St • Plainview, NY 11803 USA